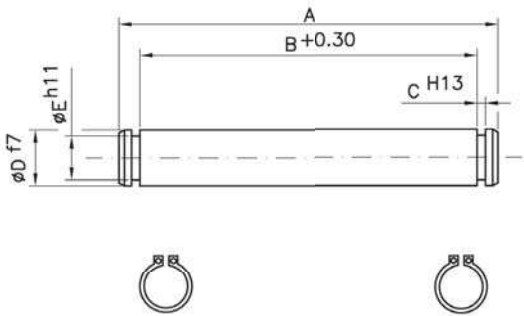
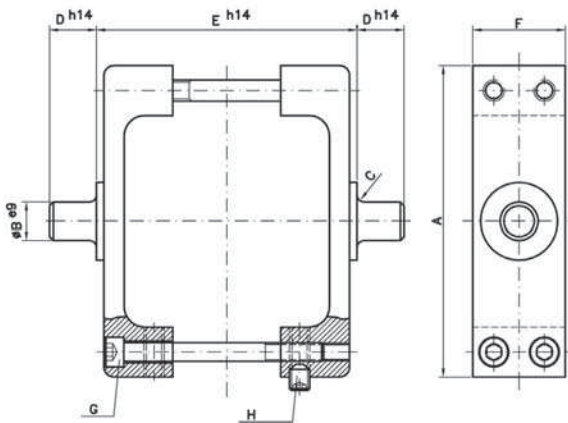


### PERNO PER CERNIERA FEMMINA PERC / PIVOT FOR FEMALE HINGE PERC

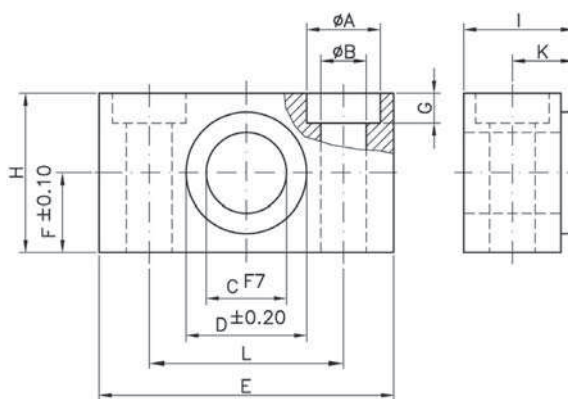


Ø mm	A	B	C	D	E	CODICE/CODE
32	53	46	1.1	10	9.6	PERC32X
40	60	53	1.1	12	11.5	PERC40X
50	68	61	1.1	12	11.5	PERC50X
63	78	71	1.1	16	15.2	PERC63X



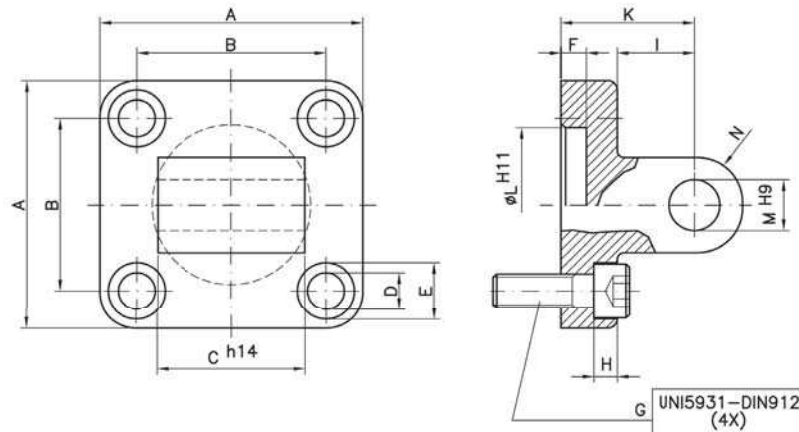
### CERNIERA INTERMEDIA CERI / INTERMEDIATE HINGE CERI

Ø mm	A	B	C	D	E	F	G	H	CODICE/CODE
32	65	12	1	12	50	25	CH4	CH3	CERI32X
40	75	16	1.5	16	63	25	CH4	CH3	CERI40X
50	95	16	1.6	16	75	30	CH4	CH3	CERI50X
63	105	20	1.6	20	90	30	CH4	CH3	CERI63X



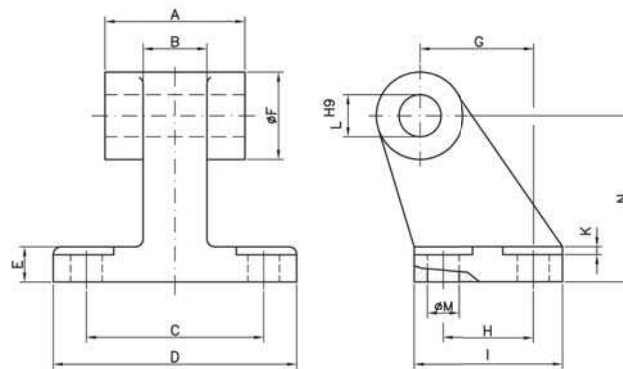
### SUPPORTO PER CERNIERA INTERMEDIA SUP SUPPORT FOR INTERMEDIATE HINGE SUP

Ø mm	A	B	C	D	E	F	G	H	I	K	L	CODICE/CODE
32	11	6.6	12	22	46	15	7	30	18	10.5	32	SUP32X
40-50	15	9	16	28	55	18	9	36	21	12	36	SUP4050X
63-80	18	11	20	32	65	20	11	40	23	13	42	SUP6380X



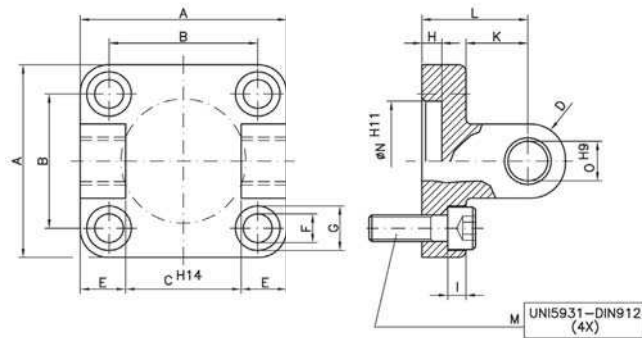
CERNIERA MASCHIO CON BUSSOLE CERM/MALE HINGE WITH BUSHES CERM

Ø mm	A	B	C	D	E	F	G	H	I	K	L	M	N	CODICE/CODE
32	45	32.5	26	6.6	11	5	M6x20	3.5	13	22	30	10	10	CERM32X
40	52	38	28	6.6	11	5	M6x20	3.5	16	25	35	12	12	CERM40X
50	65	46.5	32	9	15	5	M8x20	4.5	16	27	40	12	12	CERM50X
63	75	56.5	40	9	15	5	M8x20	4.5	21	32	45	16	16	CERM63X



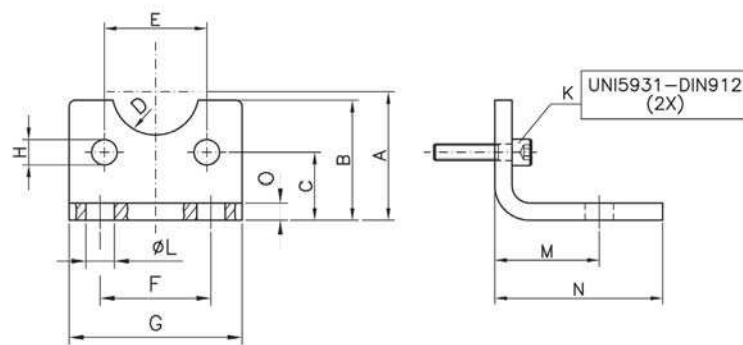
ARTICOLAZIONE A SQUADRA CON BUSSOLE/SQUARE JOINT WITH BUSHES

Ø mm	A	B	C	D	E	ØF	G	H	I	K	L	ØM	N	CODICE/CODE
32	26	10	38	51	8	20	21	18	31	1.6	10	6.6	32	ART32X
40	28	15	41	54	10	22	24	22	35	1.6	12	6.6	36	ART40X
50	32	16	50	65	12	26	33	30	45	1.6	12	9	45	ART50X
63	40	16	52	67	14	30	37	35	50	1.6	16	9	50	ART63X



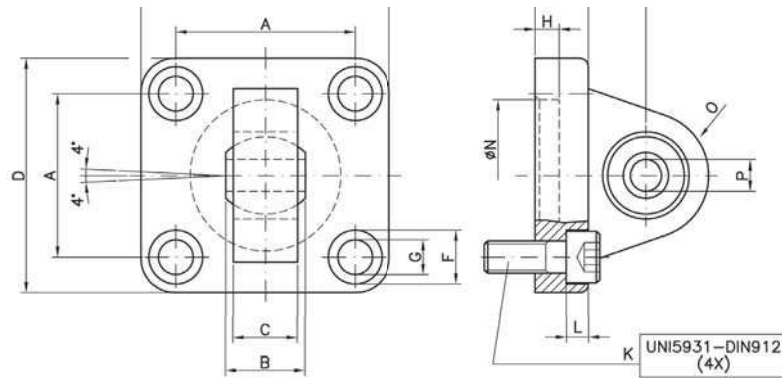
### CERNIERA FEMMINA CON BUSSOLE / FEMALE HINGE WITH BUSHES

Ø mm	A	B	C	D	E	F	G	H	I	K	L	M	N	O	CODICE/CODE
32	45	32.5	26	10	9.5	6.6	11	5	3.5	13	22	M6x20	30	10	CERF32X
40	52	38	28	12	12	6.6	11	5	3.5	16	25	M6x20	35	12	CERF40X
50	65	46.5	32	12	14	9	15	5	4.5	16	27	M8x20	40	12	CERF50X
63	75	56.5	40	16	15	9	15	5	4.5	21	32	M8x20	45	16	CERF63X



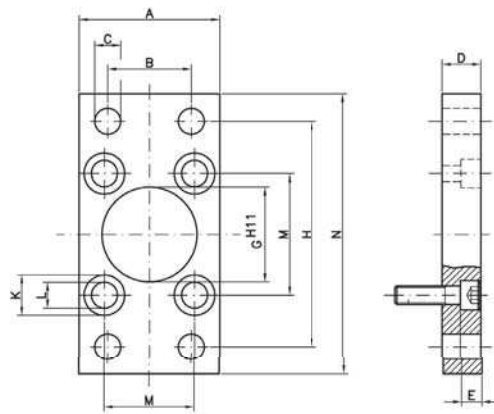
### PIEDINO BASSO / LOW-RISE PEDESTAL

Ø mm	A	B	C	D	E	F	G	H	K	L	M	N	O	CODICE/CODE
32	32	30	15.75	R15	32.5	32	45	7	M6x16	7	24	35	4	AF32X
40	36	30	17	R17.5	38	36	52	7	M6x16	9	28	36	4	AF40X
50	45	36	21.75	R20	46.5	45	65	9	M8x20	9	32	47	5	AF50X
63	50	35	21.75	R22.5	56.5	50	75	9	M8x20	9	32	45	5	AF63X



### CERNIERA MASCHIO CON TESTINA SNODATA / NARROW MALE HINGE WITH ARTICULATED HEAD

Ø mm	A	B	C	D	F	G	H	I	K	L	M	N	O	P	CODICE/CODE
32	32.5	14	10.5	45	11	6.6	5	9	M6x20	3.5	22	30	R15	10	CERMT32X
40	38	16	12	52	11	6.6	5	9	M6x20	3.5	25	35	R18	12	CERMT40X
50	46.5	21	15	65	15	9	5	11	M8x20	4.5	27	40	R20	16	CERMT50X
63	56.5	21	15	75	15	9	5	11	M8x20	4.5	32	45	R23	16	CERMT63X



### FLANGIA / FLANGE

Ø mm	A	B	C	D	E	F	G	H	K	L	M	N	CODICE/CODE
32	45	32	7	10	5	M6x20	30	64	10.5	6.5	32.5	80	AFP32X
40	52	36	9	10	5	M6x20	35	72	10.5	6.5	38	90	AFP40X
50	65	45	9	12	5.5	M8x20	40	90	13.5	8.5	46.5	110	AFP50X
63	75	50	9	12	5.5	M8x20	45	100	13.5	8.5	56.5	120	AFP63X