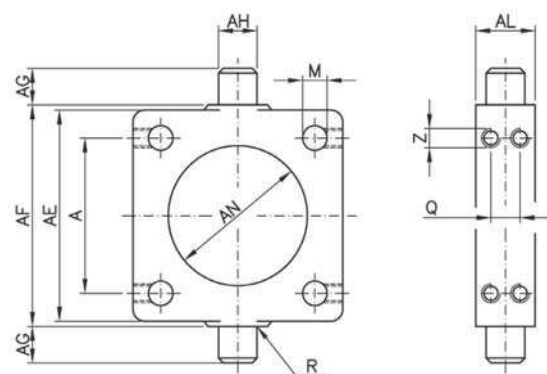


### CERNIERA FEMMINA CON BUSSOLE / FEMALE HINGE WITH BUSHES

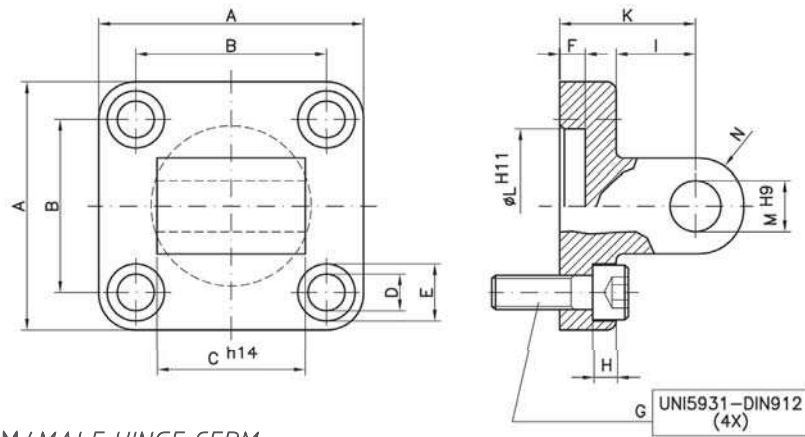
| Ø mm | A   | B    | C  | D  | E   | F   | G  | H | I   | K  | L  | M      | N  | O  | CODICE / CODE |
|------|-----|------|----|----|-----|-----|----|---|-----|----|----|--------|----|----|---------------|
| 32   | 45  | 32.5 | 26 | 10 | 9.5 | 6.6 | 11 | 5 | 3.5 | 13 | 22 | M6x20  | 30 | 10 | CERF32XI      |
| 40   | 52  | 38   | 28 | 12 | 12  | 6.6 | 11 | 5 | 3.5 | 16 | 25 | M6x20  | 35 | 12 | CERF40XI      |
| 50   | 65  | 46.5 | 32 | 12 | 14  | 9   | 15 | 5 | 4.5 | 16 | 27 | M8x20  | 40 | 12 | CERF50XI      |
| 63   | 75  | 56.5 | 40 | 16 | 15  | 9   | 15 | 5 | 4.5 | 21 | 32 | M8x20  | 45 | 16 | CERF63XI      |
| 80   | 95  | 72   | 50 | 16 | 20  | 11  | 18 | 5 | 4   | 22 | 36 | M10x25 | 45 | 16 | CERF80XI      |
| 100  | 115 | 89   | 60 | 20 | 25  | 11  | 18 | 5 | 4   | 27 | 41 | M10x25 | 55 | 20 | CERF100XI     |
| 125  | 140 | 110  | 70 | 25 | 30  | 14  | 20 | 7 | 10  | 30 | 50 | M12x30 | 60 | 25 | CERF125XI     |



### CERNIERA INTERMEDIA CER / INTERMEDIATE HINGE CER

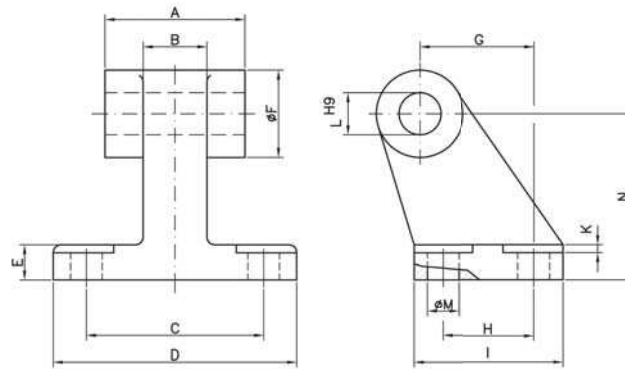
| Ø mm | A    | AE  | AL | AH | AG | AF  | AN  | R   | M     | Q  | Z   | CODICE / CODE |
|------|------|-----|----|----|----|-----|-----|-----|-------|----|-----|---------------|
| 32   | 32.5 | 46  | 15 | 12 | 12 | 50  | 37  | 1   | 6.25  | 7  | M5  | CERI32XI      |
| 40   | 38   | 59  | 20 | 16 | 16 | 63  | 46  | 1.5 | 6.25  | 8  | M5  | CERI40XI      |
| 50   | 46.5 | 69  | 20 | 16 | 16 | 75  | 56  | 1.6 | 8.25  | 8  | M6  | CERI50XI      |
| 63   | 56.5 | 84  | 25 | 20 | 20 | 90  | 69  | 1.6 | 8.25  | 12 | M6  | CERI63XI      |
| 80   | 72   | 102 | 25 | 20 | 20 | 110 | 87  | 1.6 | 10.25 | 12 | M8  | CERI80XI      |
| 100  | 89   | 125 | 30 | 25 | 25 | 132 | 107 | 2   | 10.25 | 15 | M8  | CERI100XI     |
| 125  | 110  | 155 | 32 | 25 | 25 | 160 | 133 | 2   | 12.25 | 15 | M10 | CERI125XI     |

Solo per cilindri basso attrito e tirantati  
Only for low friction and tie rods cylinders



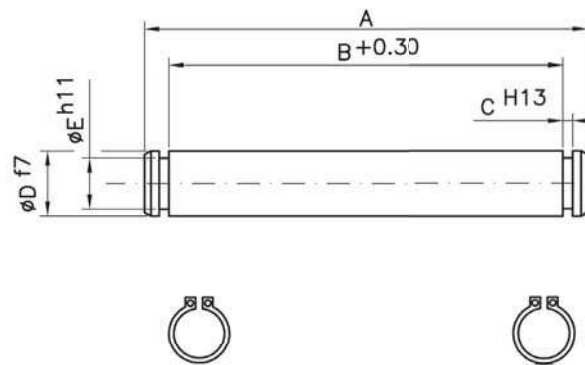
CERNIERA MASCHIO CERM/MALE HINGE CERM

| Ø mm | A   | B    | C  | D   | E  | F | G      | H   | I  | K  | L  | M  | N  | CODICE/CODE |
|------|-----|------|----|-----|----|---|--------|-----|----|----|----|----|----|-------------|
| 32   | 45  | 32.5 | 26 | 6.6 | 11 | 5 | M6x20  | 3.5 | 13 | 22 | 30 | 10 | 10 | CERM32XI    |
| 40   | 52  | 38   | 28 | 6.6 | 11 | 5 | M6x20  | 3.5 | 16 | 25 | 35 | 12 | 12 | CERM40XI    |
| 50   | 65  | 46.5 | 32 | 9   | 15 | 5 | M8x20  | 4.5 | 16 | 27 | 40 | 12 | 12 | CERM50XI    |
| 63   | 75  | 56.5 | 40 | 9   | 15 | 5 | M8x20  | 4.5 | 21 | 32 | 45 | 16 | 16 | CERM63XI    |
| 80   | 95  | 72   | 50 | 11  | 18 | 5 | M10x25 | 4   | 22 | 36 | 45 | 16 | 16 | CERM80XI    |
| 100  | 115 | 89   | 60 | 11  | 18 | 5 | M10x25 | 4   | 22 | 41 | 55 | 20 | 20 | CERM100XI   |
| 125  | 140 | 110  | 70 | 14  | 20 | 7 | M12x30 | 10  | 30 | 50 | 60 | 25 | 25 | CERM125XI   |



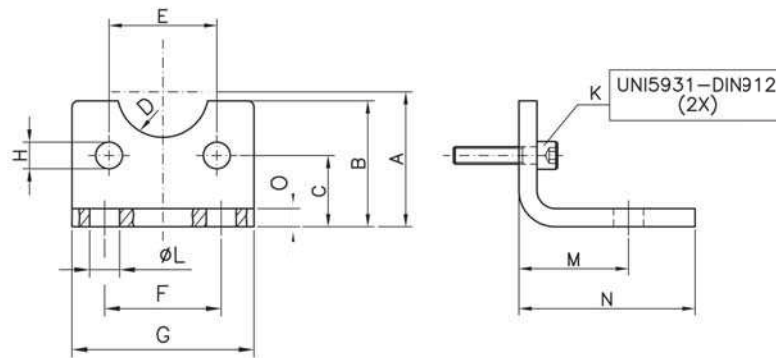
ARTICOLAZIONE A SQUADRA/SQUARE JOINT

| Ø mm | A  | B  | C  | D   | E  | ØF | G  | H  | I  | K   | L  | ØM  | N  | CODICE/CODE |
|------|----|----|----|-----|----|----|----|----|----|-----|----|-----|----|-------------|
| 32   | 26 | 10 | 38 | 51  | 8  | 20 | 21 | 18 | 31 | 1.6 | 10 | 6.6 | 32 | ART32XI     |
| 40   | 28 | 15 | 41 | 54  | 10 | 22 | 24 | 22 | 35 | 1.6 | 12 | 6.6 | 36 | ART40XI     |
| 50   | 32 | 16 | 50 | 65  | 12 | 26 | 33 | 30 | 45 | 1.6 | 12 | 9   | 45 | ART50XI     |
| 63   | 40 | 16 | 52 | 67  | 14 | 30 | 37 | 35 | 50 | 1.6 | 16 | 9   | 50 | ART63XI     |
| 80   | 50 | 20 | 66 | 86  | 14 | 30 | 47 | 40 | 60 | 2.5 | 16 | 11  | 63 | ART80XI     |
| 100  | 60 | 20 | 76 | 96  | 17 | 38 | 55 | 50 | 70 | 2.5 | 20 | 11  | 71 | ART100XI    |
| 125  | 70 | 30 | 94 | 124 | 20 | 45 | 70 | 60 | 90 | 3.2 | 25 | 14  | 90 | ART125XI    |



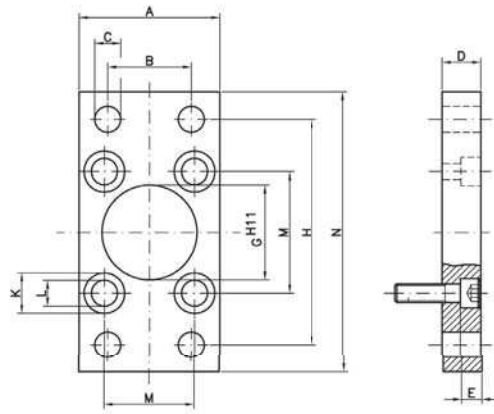
PERNO PER CERNIERA FEMMINA PERC/PIVOT FOR FEMALE HINGE PERC

| Ø mm | A   | B   | C   | D  | E    | CODICE/CODE |
|------|-----|-----|-----|----|------|-------------|
| 32   | 53  | 46  | 1.1 | 10 | 9.6  | PERC32XI    |
| 40   | 60  | 53  | 1.1 | 12 | 11.5 | PERC40XI    |
| 50   | 68  | 61  | 1.1 | 12 | 11.5 | PERC50XI    |
| 63   | 78  | 71  | 1.1 | 16 | 15.2 | PERC63XI    |
| 80   | 98  | 91  | 1.1 | 16 | 15.2 | PERC80XI    |
| 100  | 118 | 111 | 1.3 | 20 | 19   | PERC100XI   |
| 125  | 139 | 132 | 1.3 | 25 | 23.9 | PERC125XI   |



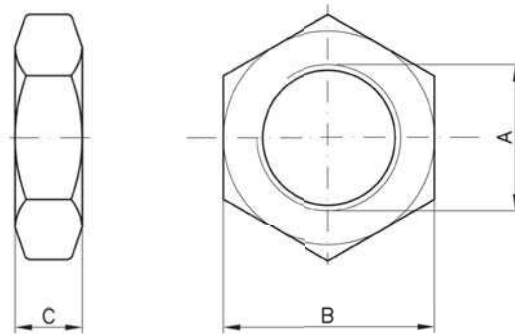
PIEDINO BASSO/LOW-RISE PEDESTAL

| Ø mm | A  | B  | C     | D     | E    | F  | G   | H  | K      | L  | M  | N  | O | CODICE/CODE |
|------|----|----|-------|-------|------|----|-----|----|--------|----|----|----|---|-------------|
| 32   | 32 | 30 | 15.75 | R15   | 32.5 | 32 | 45  | 7  | M6x16  | 7  | 24 | 35 | 4 | AF32XI      |
| 40   | 36 | 30 | 17    | R17.5 | 38   | 36 | 52  | 7  | M6x16  | 9  | 28 | 36 | 4 | AF40XI      |
| 50   | 45 | 36 | 21.75 | R20   | 46.5 | 45 | 65  | 9  | M8x20  | 9  | 32 | 47 | 5 | AF50XI      |
| 63   | 50 | 35 | 21.75 | R22.5 | 56.5 | 50 | 75  | 9  | M8x20  | 9  | 32 | 45 | 5 | AF63XI      |
| 80   | 63 | 47 | 27    | R22.5 | 72   | 63 | 95  | 11 | M10x20 | 12 | 41 | 55 | 6 | AF80XI      |
| 100  | 71 | 53 | 26.5  | R27.5 | 89   | 75 | 115 | 11 | M10x20 | 14 | 41 | 57 | 6 | AF100XI     |
| 125  | 90 | 70 | 35    | R30   | 110  | 90 | 140 | 14 | M12x30 | 16 | 45 | 70 | 8 | AF125XI     |



FLANGIA / FLANGE

| Ø mm | A   | B  | C  | D  | E   | F      | G  | H   | K    | L    | M    | N   | CODICE / CODE |
|------|-----|----|----|----|-----|--------|----|-----|------|------|------|-----|---------------|
| 32   | 45  | 32 | 7  | 10 | 5   | M6x20  | 30 | 64  | 10.5 | 6.5  | 32.5 | 80  | AFP32XI       |
| 40   | 52  | 36 | 9  | 10 | 5   | M6x20  | 35 | 72  | 10.5 | 6.5  | 38   | 90  | AFP40XI       |
| 50   | 65  | 45 | 9  | 12 | 5.5 | M8x20  | 40 | 90  | 13.5 | 8.5  | 46.5 | 110 | AFP50XI       |
| 63   | 75  | 50 | 9  | 12 | 5.5 | M8x20  | 45 | 100 | 13.5 | 8.5  | 56.5 | 120 | AFP63XI       |
| 80   | 95  | 63 | 12 | 16 | 7   | M10x25 | 45 | 126 | 16.5 | 10.5 | 72   | 150 | AFP80XI       |
| 100  | 115 | 75 | 14 | 16 | 7   | M10x25 | 55 | 150 | 16.5 | 10.5 | 89   | 170 | AFP100XI      |
| 125  | 140 | 90 | 16 | 20 | 9.5 | M12x30 | 60 | 180 | 20   | 13.5 | 110  | 205 | AFP125XI      |



DADO PER ASTE ANA / NUT FOR PISTON ROD ANA

| Ø mm   | A        | B  | C  | CODICE / CODE |
|--------|----------|----|----|---------------|
| 32     | M10x1.25 | 17 | 6  | ANA25I        |
| 40     | M12x1.25 | 19 | 7  | ANA40BI       |
| 50-63  | M16x1.5  | 24 | 8  | ANA50BI       |
| 80-100 | M20x1.5  | 30 | 9  | ANA80100I     |
| 125    | M27x2    | 41 | 12 | ANA125XI      |