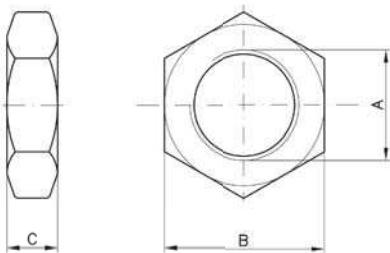


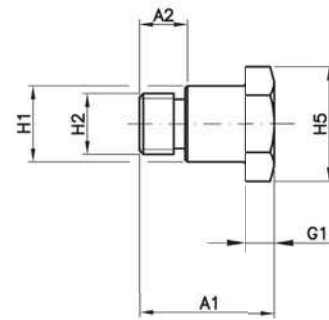
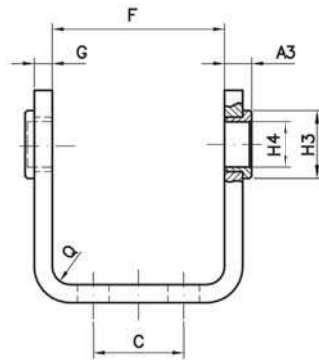
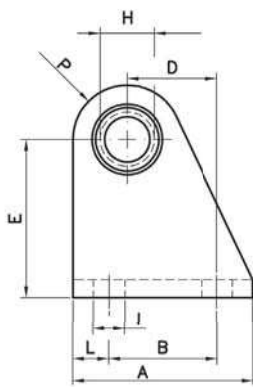
GHIERA AN/NUT FOR COVERS AN

Ø mm	A	B	C	D	E	CODICE/CODE
32	45	M30x1.5	40	7	5	AN32I
40	50	M38x1.5	46	8	5	AN40I
50-63	58	M45x1.5	52	9	6	AN50/63I



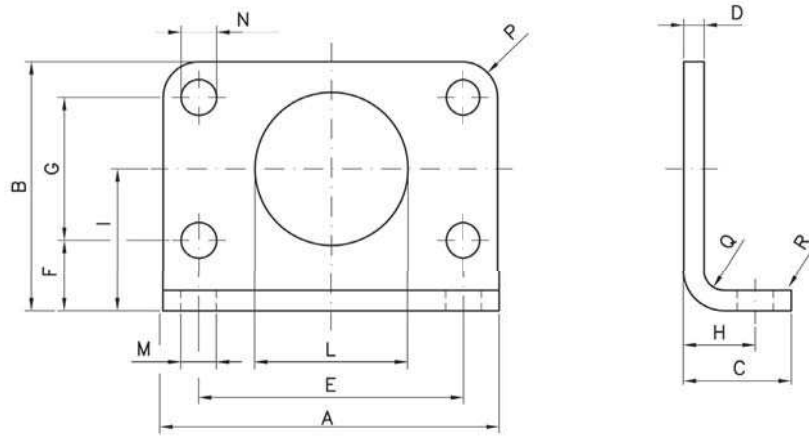
DADO PER ASTE ANA/NUT FOR PISTON ROD ANA

Ø mm	A	B	C	CODICE/CODE
32	M10x1.5	17	6	ANA32I
40	M12x1.75	19	7	ANA40I
50-63	M16x2	24	8	ANA50/63I



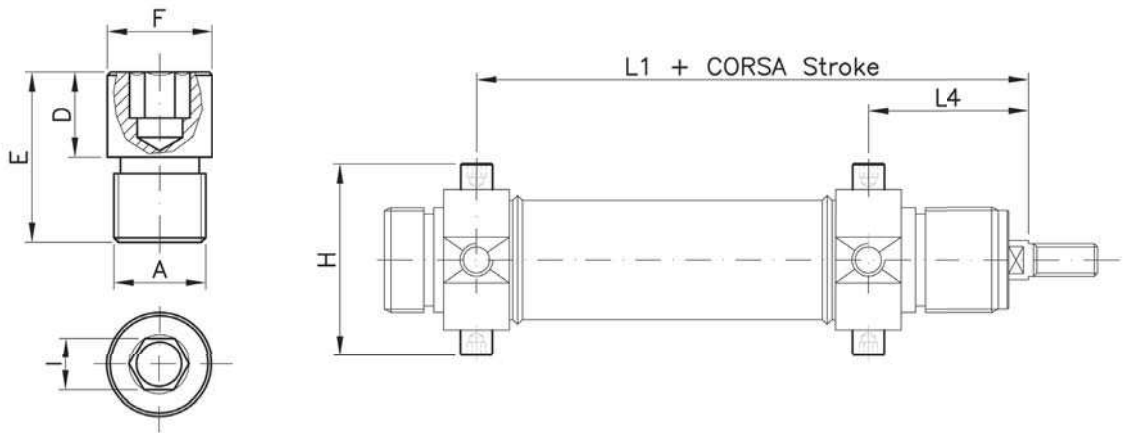
CERNIERA ACB/HINGE ACB

Ø mm	A	A1	A2	A3	B	C	D	E	F	G	G1	H	H1	H2	H3	H4	H5	I	L	P	Q	CODICE/CODE
32	40	18	6	6	24	20	20	35	38.1	4	4	12	10	M8x1	15	10	13	7	8	12	4	ACB32I
40	50	21.6	7	7	30	28	27	40	46.1	5	5	15	12	M10x1	20	12	17	9	10	13	5	ACB40I
50	54	26.4	9	8.5	34	36	30	45	57.1	6	6	18	14	M12x1.5	23	14	19	9	10	14	6	ACB50I
63	65	31.5	13	8.5	35	42	34	50	70.1	6	6	20	16	M14x1.5	23	16	19	9	15	16	6	ACB63I



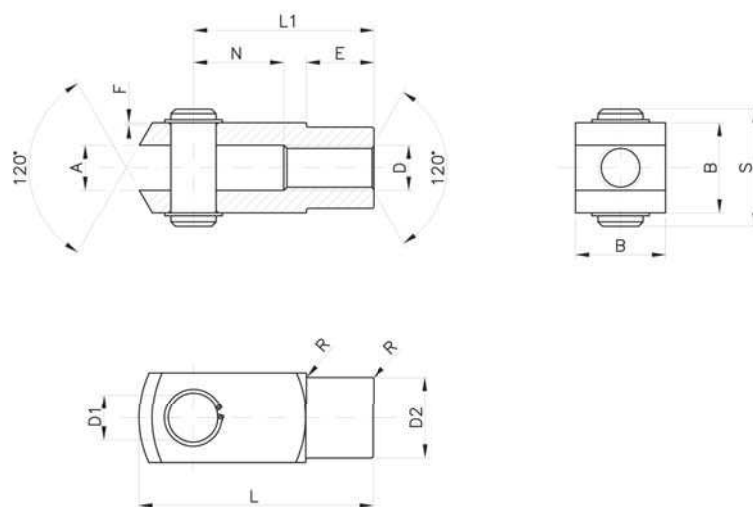
PIEDINO FLANGIA AF / FOOT FLANGE AF

∅ mm	A	B	C	D	E	F	G	H	I	L	M	N	P	Q	R	CODICE/CODE
32	66	49	21	4	52	14	28	14	28	30	7	7	7	4	2	AF32I
40	80	58	30	5	60	18	30	20	33	38	9	9	10	5	2	AF40I
50	90	70	30	6	70	20	40	20	40	45	9	9	10	6	2	AF50I
63	96	80	30	6	76	20	50	20	45	45	9	9	10	6	2	AF63I



PERNO SINGOLO AP - COPPIA DI PERNI PER / SINGLE PIVOT AP - PAIR PIVOTS PER

∅ mm	A	D	E	F	I	H	L1	L4	CODICE/CODE	CODICE/CODE
32	M8x1	8	14	10	5	51	125	47	PER32I	AP32I
40	M10x1	9.5	16.5	12	6	61	146	57	PER40I	AP40I
50	M12x1.5	11	20	14	6	75	158	62	PER50I	AP50I
63	M14x1.5	13	28	16	8	92	161	63	PER63I	AP63I



FORCELLA IN ACCIAIO INOX COMPLETA DI CLIP / STAINLESS STEEL CLEVIS WITH LOCKABLE PIN

D	A	F	L1	N	E	B	D1	R	D2	L	S	CODICE/CODE
M10x1.5	10	0.5	40	20	15	20	10	0.5	18	52	25	FORM10DINI
M12x1.75	12	0.5	48	24	18	24	12	0.5	20	62	30	FORM12DINI
M16x2	16	1	64	32	24	32	16	1	26	83	39	FORM16DINI