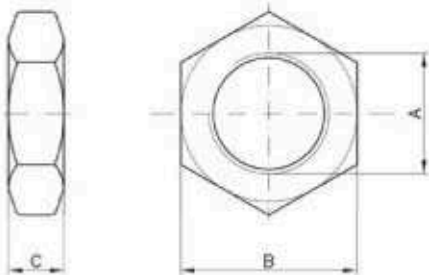


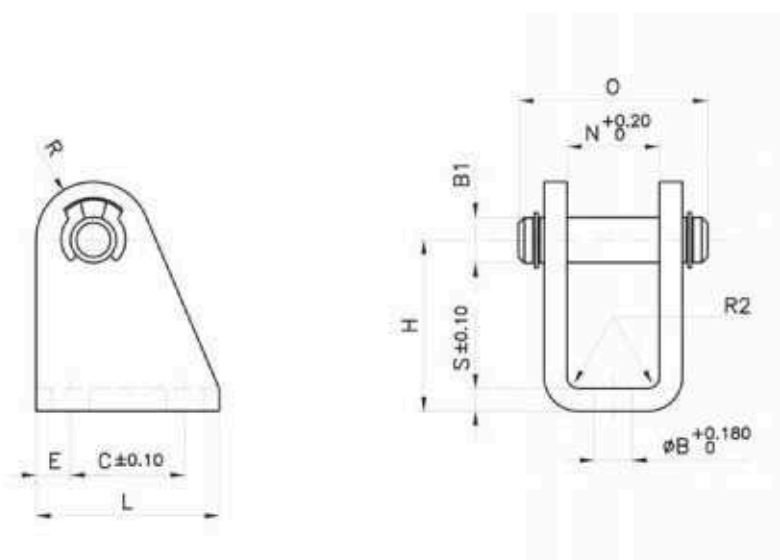
DADO PER TESTATE ANT / NUT FOR COVERS ANT

Ø mm	A	B	C	CODICE/CODE
8-10	M12X1.25	19	7	ANA40B
12-16	M16X1.5	22	5	ANT12/16
20-25	M22X1.5	27	8	ANT20/25



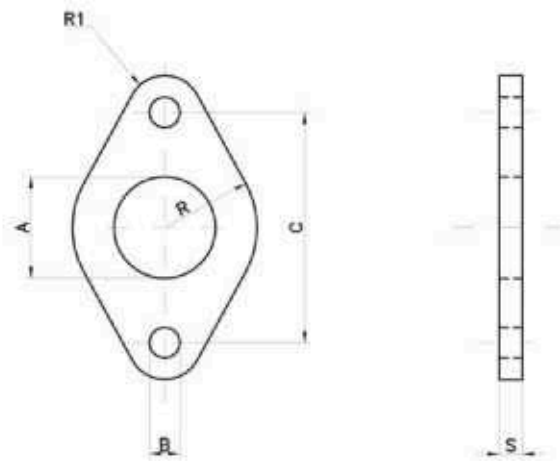
DADO PER ASTE ANA / NUT FOR PISTON ROD ANA

Ø mm	A	B	C	CODICE/CODE
8-10	M4	7	3.2	ANA8/10
12-16	M6	10	4	ANA12/16
20	M8X1.25	13	5	ANA20
25	M10X1.25	17	6	ANA25



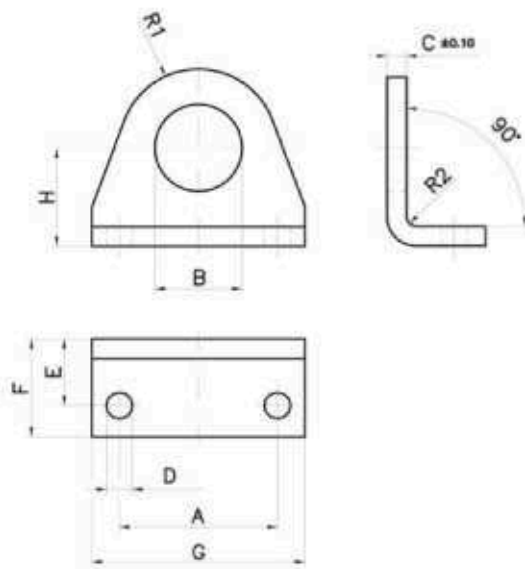
CERNIERA AFO / HINGE AFO

Ø mm	L	H	B1	S	E	C	N	B	O	R	R2	CODICE/CODE
8-10	20	24	4	2.5	3.75	12.5	8.1	4.5	18	5	1.5	AFO8/10
12-16	25	27	6	3	5	15	12.1	5.5	24	7	1.5	AFO12/16
20-25	32	30	8	4	6	20	16.1	6.6	31	10	2	AFO20/25



### FLANGIA AF / FLANGE AF

Ø mm	A	B	C	R	R1	S	CODICE/CODE
8-10	12	4.5	30	11	5	3	AF8/10
12-16	16	5.5	40	15	6	4	AF12/16
20-25	22	6.5	50	20	8	5	AF20/25

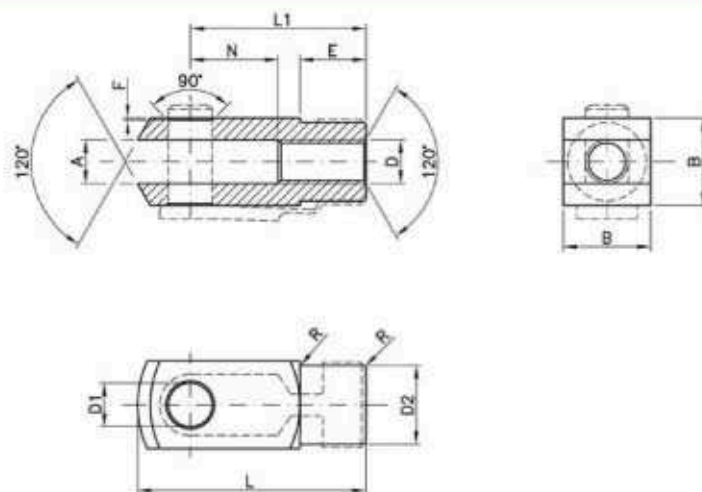


### PIEDINO AP / FOOT AP

Ø mm	A	B	C	D	E	F	G	H	R1	R2	CODICE/CODE
8-10	25	12	3	4.5	11	16	35	16	10	1.5	AP8/10
12-16	32	16.1	4	5.5	14	20	42	20	13	2	AP12/16
20-25	40	22.1	5	6.6	17	25	54	25	20	2.5	AP20/25

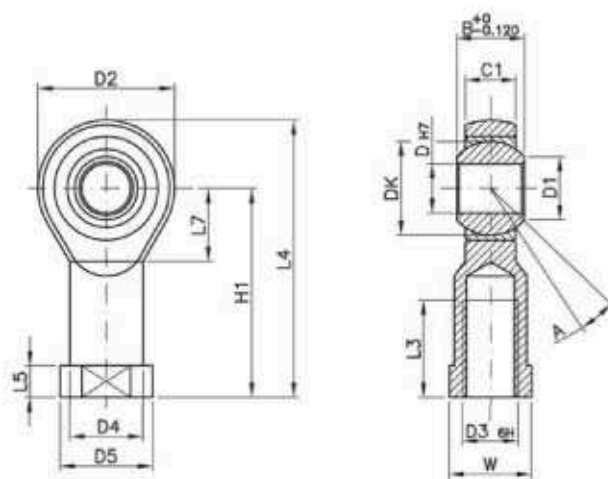
# ACCESSORI PER MINICILINDRI ISO6432

## ACCESSORIES FOR ISO6432 MINICYLINDERS



FORCELLA IN ACCIAIO ZINCATO COMPLETA DI CLIP / CLEVIS WITH LOCKABLE PIN

D	A	F	L1	N	E	B	D1	R	D2	L	CODICE/CODE
M4	4	0.5	16	8	6	8	4	0.5	8	21	FORM4ISO
M6	6	0.5	24	12	9	12	6	0.5	10	31	FORM6ISO
M8	8	0.5	32	16	12	16	8	0.5	14	42	FORM8ISO
M10x1.25	10	0.5	40	20	15	20	10	0.5	18	52	FORM10ISO



TESTA A SNODO AUTOLUBRIFICANTE / SELF-LUBRICATING ROD END

D3	W	L3	A	D	DK	D1	C1	B	D4	D5	L5	L7	H1	L4	D2	CODICE/CODE
M4	9	10	13°	5	11.112	7.7	6	8	9	11	4	10	27	36	18	TSNDM4x0.7
M6	11	12	13°	6	12.7	8.9	6.75	9	10	13	5	11	30	40	20	TSNDM6x1
M8	14	16	14°	8	15.875	10.4	9	12	12.5	16	5	13	36	48	24	TSNDM8x1.25
M10x1.25	17	20	13°	10	19.050	12.9	10.5	14	15	19	6.5	15	43	57	28	TSNDM10x1.25