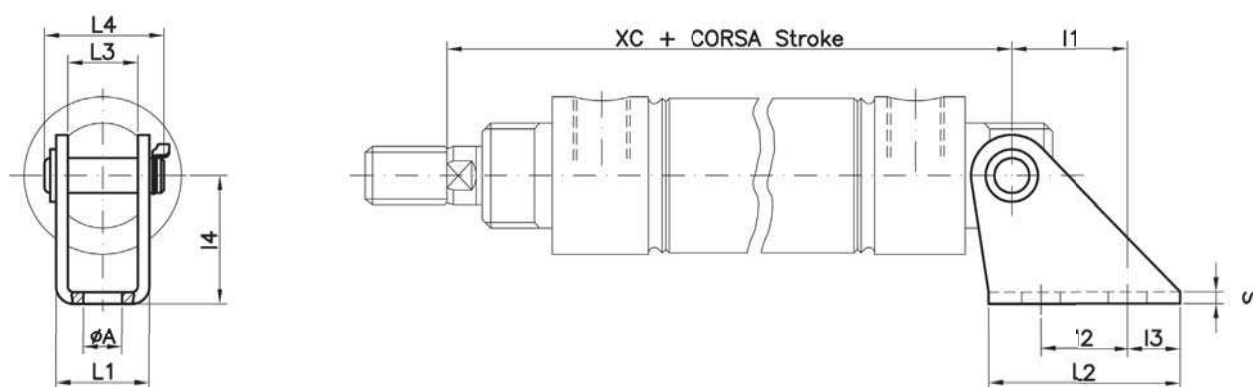


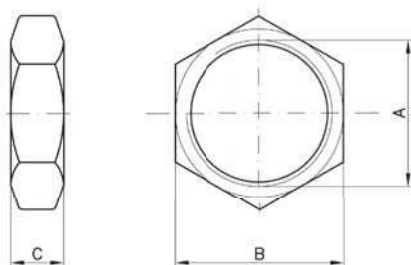
## PIEDINO AF/FOOT AF

Ø mm	I1	12	13	14	L	S	ØA	XS	XA	CODICE/CODE
16	16	10	6	25	35	2	4.5	21.5	55	AF12/16E
20	20	13	6	32	43	3	5.5	27.5	65	AF20E
25	22	11	8	38	49	3	6.6	26	71	AF25E



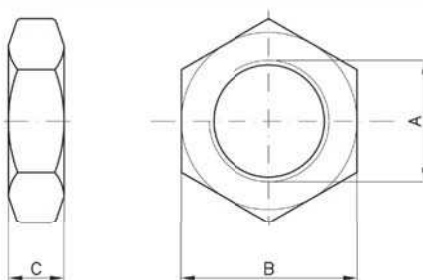
## CERNIERA AFO/HINGE AFO

Ø mm	I1	12	13	14	L1	L2	L3	L4	S	ØA	XC	CODICE/CODE
16	13	10	6	16	11.1	22	8.1	15.5	1.5	4.5	69	AFO16E
20	18.5	15	8	20	15.1	31	12.1	19.5	1.5	5.5	83.5	AFO20E
25	20	15	9	22	16.1	33	12.1	20.5	2	6.6	87	AFO25E



## DADO PER TESTATE ANT/NUT FOR COVERS ANT

Ø mm	A	B	C	CODICE/CODE
16	M12X1.25	19	7	ANT08/10
20	M16X1.5	22	5	ANT12/16
25	M18X1.5	24	5	ANT25E

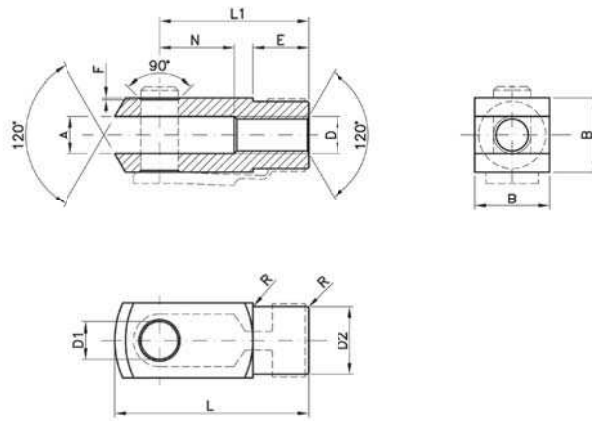


## DADO PER ASTE ANA/NUT FOR PISTON ROD ANA

Ø mm	A	B	C	CODICE/CODE
16	M6	10	4	ANA12/16
20	M8X1.25	13	5	ANA20
25	M10X1.25	17	6	ANA25

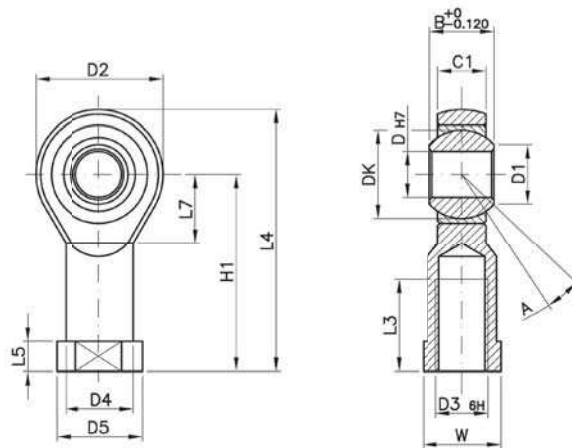
# ACCESSORI PER MINICILINDRI SERIE E

## ACCESSORIES FOR SERIE E MINICYLINDERS



FORCELLA IN ACCIAIO ZINCATO COMPLETA DI CLIP / ZINC PLATED CLEVIS WITH LOCKABLE PIN

D	A	F	L1	N	E	B	D1	R	D2	L	CODICE/CODE
M6	6	0.5	24	12	9	12	6	0.5	10	31	FORM6ISO
M8	8	0.5	32	16	12	16	8	0.5	14	42	FORM8ISO
M10x1.25	10	0.5	40	20	15	20	10	0.5	18	52	FORM10ISO



TESTA A SNODO AUTOLUBRIFICANTE / SELF-LUBRICATING ROD ENDS

D3	W	L3	A	D	DK	D1	C1	B	D4	D5	L5	L7	H1	L4	D2	CODICE/CODE
M6	11	12	13°	6	12.7	8.9	6.75	9	10	13	5	11	30	40	20	TSNDM6x1
M8	14	16	14°	8	15.875	10.4	9	12	12.5	16	5	13	36	48	24	TSNDM8x1.25
M10x1.25	17	20	13°	10	19.050	12.9	10.5	14	15	19	6.5	15	43	57	28	TSNDM10x1.25