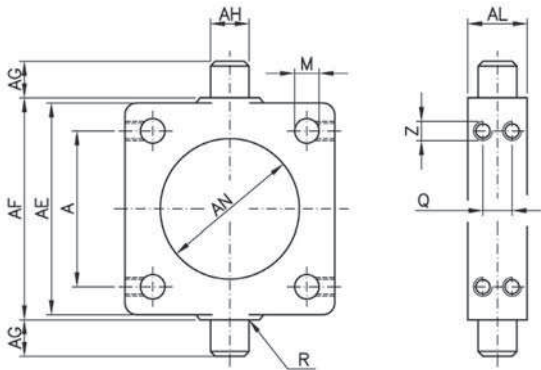


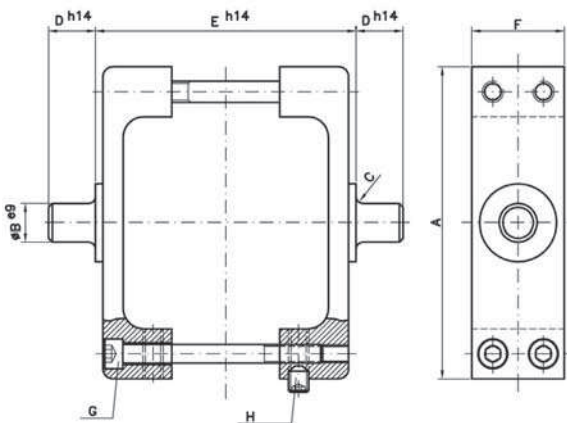
### CERNIERA INTERMEDIA CER/INTERMEDIATE HINGE CER/



Ø mm	A	AE	AL	AH	AG	AF	AN	R	M	Q	Z	CODICE/ CODE
32	32.5	46	15	12	12	50	37	1	6.25	7	M5	CERI32XR
40	38	59	20	16	16	63	46	1.5	6.25	8	M5	CERI40XR
50	46.5	69	20	16	16	75	56	1.6	8.25	8	M6	CERI50XR
63	56.5	84	25	20	20	90	69	1.6	8.25	12	M6	CERI63XR
80	72	102	25	20	20	110	87	1.6	10.25	12	M8	CERI80XR
100	89	125	30	25	25	132	107	2	10.25	15	M8	CERI100XR
125	110	155	32	25	25	160	133	2	12.25	15	M10	CERI125XR

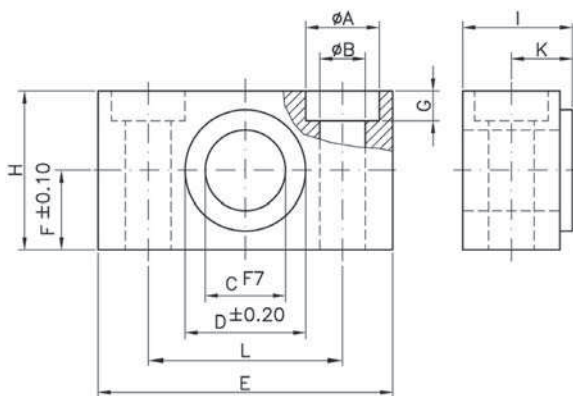
Solo per cilindri basso attrito e a tiranti  
Only for low friction and tie rods cylinders

### CERNIERA INTERMEDIA CER/INTERMEDIATE HINGE CER/

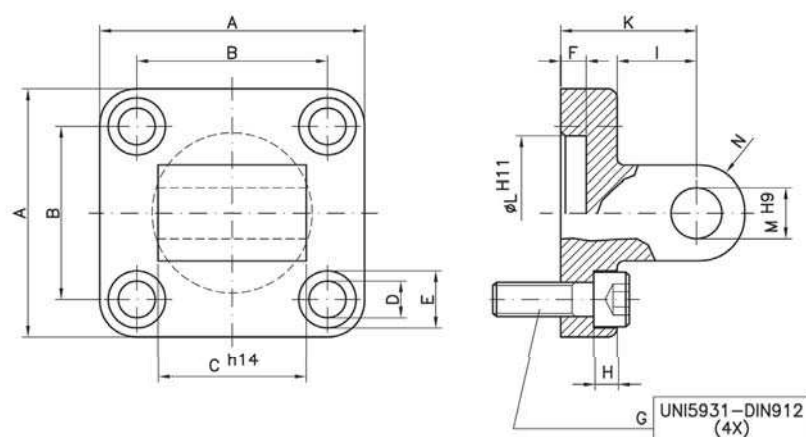


Ø mm	A	B	C	D	E	F	G	H	CODICE/ CODE
32	65	12	1	12	50	25	CH4	CH3	CERI32X
40	75	16	1.5	16	63	25	CH4	CH3	CERI40X
50	95	16	1.6	16	75	30	CH4	CH3	CERI50X
63	105	20	1.6	20	90	30	CH4	CH3	CERI63X
80	130	20	1.6	20	110	30	CH4	CH3	CERI80X
100	145	25	2	25	132	40	CH5	CH3	CERI100X
125	176	25	2	25	160	40	CH6	CH4	CERI125X

### SUPPORTO PER CERNIERA INTERMEDIA SUP SUPPORT FOR INTERMEDIATE HINGE

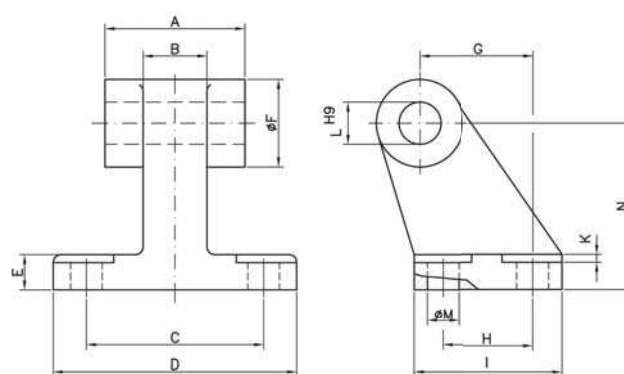


Ø mm	A	B	C	D	E	F	G	H	I	K	L	CODICE/ CODE
32	11	6.6	12	22	46	15	7	30	18	10.5	32	SUP32X
40-50	15	9	16	28	55	18	9	36	21	12	36	SUP4050X
63-80	18	11	20	32	65	20	11	40	23	13	42	SUP6380X
100-125	20	14	25	39	75	25	13	50	28.5	16	50	SUP100125X



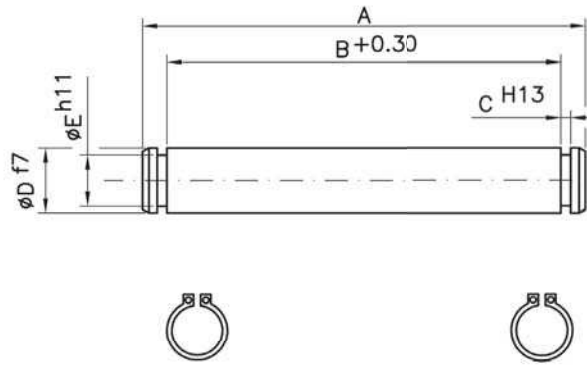
CERNIERA MASCHIO CON BUSSOLE CERM/MALE HINGE WITH BUSHES CERM

Ø mm	A	B	C	D	E	F	G	H	I	K	L	M	N	CODICE/CODE
32	45	32.5	26	6.6	11	5	M6x20	3.5	13	22	30	10	10	CERM32X
40	52	38	28	6.6	11	5	M6x20	3.5	16	25	35	12	12	CERM40X
50	65	46.5	32	9	15	5	M8x20	4.5	16	27	40	12	12	CERM50X
63	75	56.5	40	9	15	5	M8x20	4.5	21	32	45	16	16	CERM63X
80	95	72	50	11	18	5	M10x25	4	22	36	45	16	16	CERM80X
100	115	89	60	11	18	5	M10x25	4	22	41	55	20	20	CERM100X
125	140	110	70	14	20	7	M12x30	10	30	50	60	25	25	CERM125X



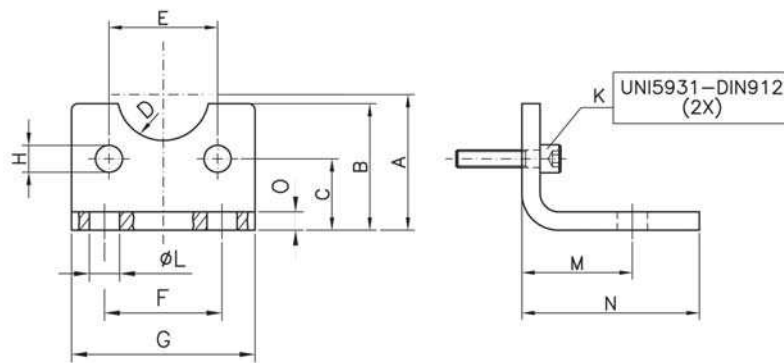
ARTICOLAZIONE A SQUADRA CON BUSSOLE/SQUARE JOINT WITH BUSHES

Ø mm	A	B	C	D	E	ØF	G	H	I	K	L	ØM	N	CODICE/CODE
32	26	10	38	51	8	20	21	18	31	1.6	10	6.6	32	ART32X
40	28	15	41	54	10	22	24	22	35	1.6	12	6.6	36	ART40X
50	32	16	50	65	12	26	33	30	45	1.6	12	9	45	ART50X
63	40	16	52	67	14	30	37	35	50	1.6	16	9	50	ART63X
80	50	20	66	86	14	30	47	40	60	2.5	16	11	63	ART80X
100	60	20	76	96	17	38	55	50	70	2.5	20	11	71	ART100X
125	70	30	94	124	20	45	70	60	90	3.2	25	14	90	ART125X



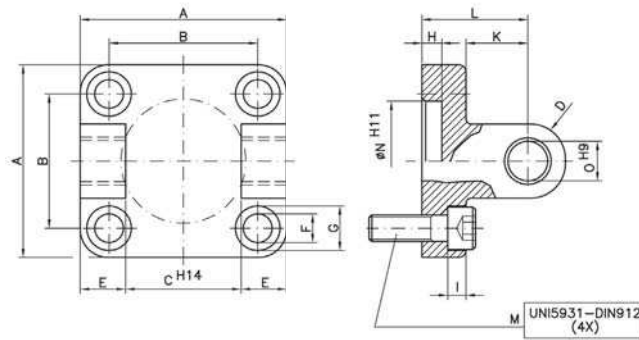
PERNO PER CERNIERA FEMMINA PERC / PIVOT FOR FEMALE HINGE PERC

Ø mm	A	B	C	D	E	CODICE/CODE
32	53	46	1.1	10	9.6	PERC32X
40	60	53	1.1	12	11.5	PERC40X
50	68	61	1.1	12	11.5	PERC50X
63	78	71	1.1	16	15.2	PERC63X
80	98	91	1.1	16	15.2	PERC80X
100	118	111	1.3	20	19	PERC100X
125	139	132	1.3	25	23.9	PERC125X



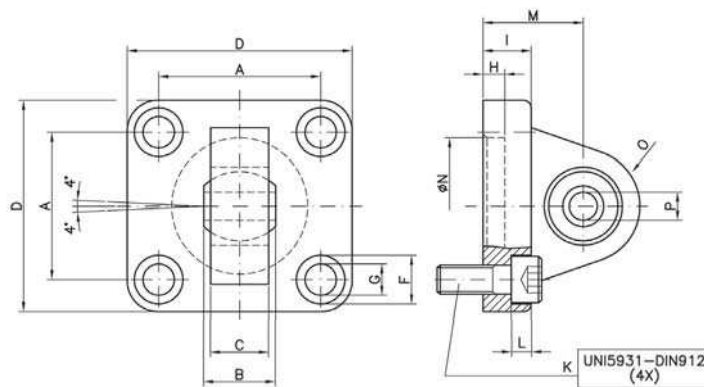
PIEDINO BASSO / LOW-RISE PEDESTAL

Ø mm	A	B	C	D	E	F	G	H	K	L	M	N	O	CODICE/CODE
32	32	30	15.75	R15	32.5	32	45	7	M6x16	7	24	35	4	AF32X
40	36	30	17	R17.5	38	36	52	7	M6x16	9	28	36	4	AF40X
50	45	36	21.75	R20	46.5	45	65	9	M8x20	9	32	47	5	AF50X
63	50	35	21.75	R22.5	56.5	50	75	9	M8x20	9	32	45	5	AF63X
80	63	47	27	R22.5	72	63	95	11	M10x20	12	41	55	6	AF80X
100	71	53	26.5	R27.5	89	75	115	11	M10x20	14	41	57	6	AF100X
125	90	70	35	R30	110	90	140	14	M12x30	16	45	70	8	AF125X



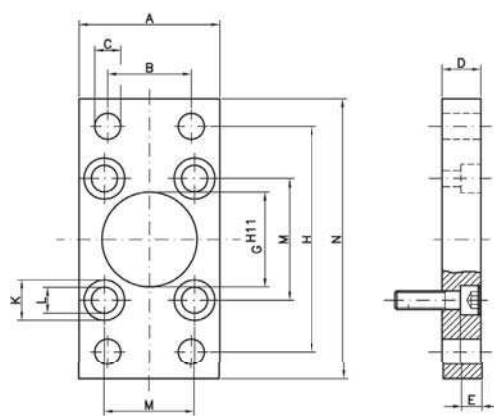
### CERNIERA FEMMINA CON BUSSOLE / FEMALE HINGE WITH BUSHES

Ø mm	A	B	C	D	E	F	G	H	I	K	L	M	N	O	CODICE/CODE
32	45	32.5	26	10	9.5	6.6	11	5	3.5	13	22	M6x20	30	10	CERF32X
40	52	38	28	12	12	6.6	11	5	3.5	16	25	M6x20	35	12	CERF40X
50	65	46.5	32	12	14	9	15	5	4.5	16	27	M8x20	40	12	CERF50X
63	75	56.5	40	16	15	9	15	5	4.5	21	32	M8x20	45	16	CERF63X
80	95	72	50	16	20	11	18	5	4	22	36	M10x25	45	16	CERF80X
100	115	89	60	20	25	11	18	5	4	27	41	M10x25	55	20	CERF100X
125	140	110	70	25	30	14	20	7	10	30	50	M12x30	60	25	CERF125X



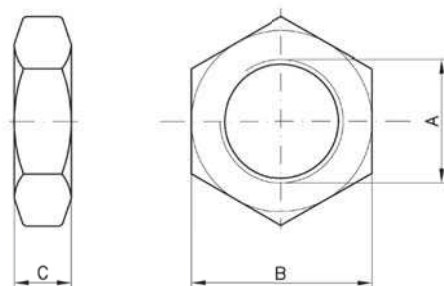
### CERNIERA MASCHIO CON TESTINA SNODATA / NARROW MALE HINGE WITH SPHERICAL BEARING

Ø mm	A	B	C	D	F	G	H	I	K	L	M	N	O	P	CODICE/CODE
32	32.5	14	10.5	45	11	6.6	5	9	M6x20	3.5	22	30	R15	10	CERMT32X
40	38	16	12	52	11	6.6	5	9	M6x20	3.5	25	35	R18	12	CERMT40X
50	46.5	21	15	65	15	9	5	11	M8x20	4.5	27	40	R20	16	CERMT50X
63	56.5	21	15	75	15	9	5	11	M8x20	4.5	32	45	R23	16	CERMT63X
80	72	25	18	95	18	11	5	14	M10x25	4	36	45	R27	20	CERMT80X
100	89	25	18	115	18	11	5	14	M10x25	4.5	41	55	R30	20	CERMT100X
125	110	37	25	140	20	13.5	7	20	M12x30	10	50	60	R40	30	CERMT125X



### FLANGIA/FLANGE

Ø mm	A	B	C	D	E	F	G	H	K	L	M	N	CODICE/CODE
32	45	32	7	10	5	M6x20	30	64	10.5	6.5	32.5	80	AFP32X
40	52	36	9	10	5	M6x20	35	72	10.5	6.5	38	90	AFP40X
50	65	45	9	12	5.5	M8x20	40	90	13.5	8.5	46.5	110	AFP50X
63	75	50	9	12	5.5	M8x20	45	100	13.5	8.5	56.5	120	AFP63X
80	95	63	12	16	7	M10x25	45	126	16.5	10.5	72	150	AFP80X
100	115	75	14	16	7	M10x25	55	150	16.5	10.5	89	170	AFP100X
125	140	90	16	20	9.5	M12x30	60	180	20	13.5	110	205	AFP125X

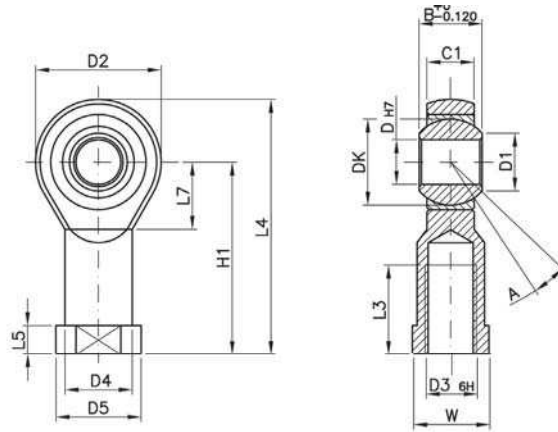


### DADO PER ASTE ANA/NUT FOR PISTON ROD ANA

Ø mm	A	B	C	CODICE/CODE
32	M10x1.25	17	6	ANA25
40	M12x1.25	19	7	ANA40B
50-63	M16x1.5	24	8	ANA50B
80-100	M20x1.5	30	9	ANA80100
125	M27x2	41	12	ANA125X

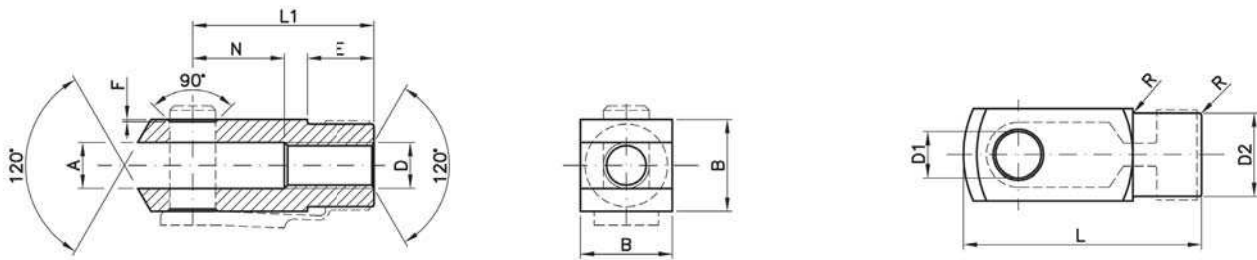
# ACCESSORI PER CILINDRI DIN ISO 1552

## ACCESSORIES FOR DIN ISO 1552 CYLINDERS



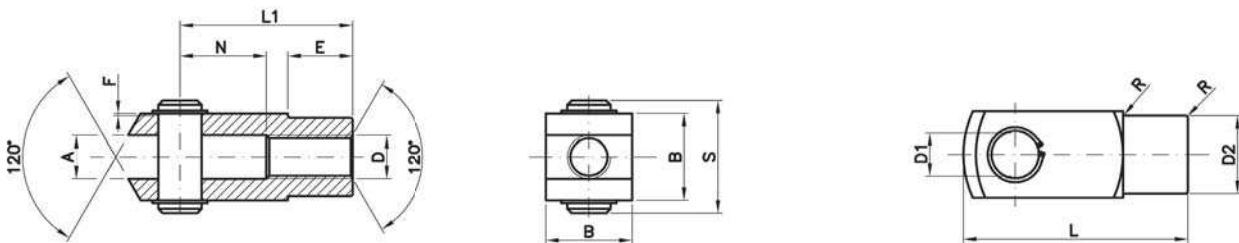
### TESTA A SNODO AUTOLUBRIFICANTE / ROD ENDS SELF-LUBRICATING

D3	W	L3	A	D	DK	D1	C1	B	D4	D5	L5	L7	H1	L4	D2	CODICE/CODE
M10x1.25	17	20	13°	10	19.050	12.9	10.5	14	15	19	6.5	15	43	57	28	TSNDM10x1.25
M12x1.75	19	22	13°	12	22.225	15.4	12	16	17.5	22	6.5	17	50	66	32	TSNDM12x1.25
M16x1.5	22	28	15°	16	28.575	19.3	15	21	22	27	8	23	64	85	42	TSNDM16x1.5
M20x1.5	30	33	14°	20	34.925	24.3	18	25	27.5	34	10	27	77	102	50	TSNDM20x1.5
M27x2	41	51	17°	30	50.8	34.8	25	37	40	50	15	36	110	145	70	TSNDM27x2
M36x2	50	56	19°	35	57.15	37.7	28	43	46	58	17	41	125	165	80	TSNDM36x2



### FORCELLA IN ACCIAIO ZINCATO COMPLETA DI CLIP / CLEVIS WITH LOCKABLE PIN

D	A	F	L1	N	E	B	D1	R	D2	L	CODICE/CODE
M10x1.25	10	0.5	40	20	15	20	10	0.5	18	52	FORM10ISO
M12x1.25	12	0.5	48	24	18	24	12	0.5	20	62	FORM12ISO
M16x1.25	16	1	64	32	24	32	16	1	26	83	FORM16ISO



### FORCELLA IN ACCIAIO ZINCATO COMPLETA DI PERNO / CLEVIS WITH PIVOT

D	A	F	L1	N	E	B	D1	R	D2	L	CODICE/CODE
M20x1.5	20	1	80	40	30	40	20	1	34	105	FORM20ISO
M27x2	30	1	110	54	38	55	30	1	48	148	FORM27ISO
M36x2	35	1	144	72	40	70	35	1	60	188	FORM36ISO