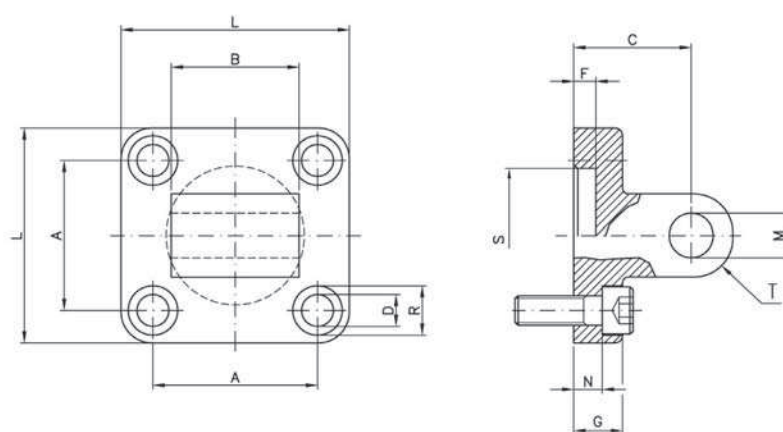


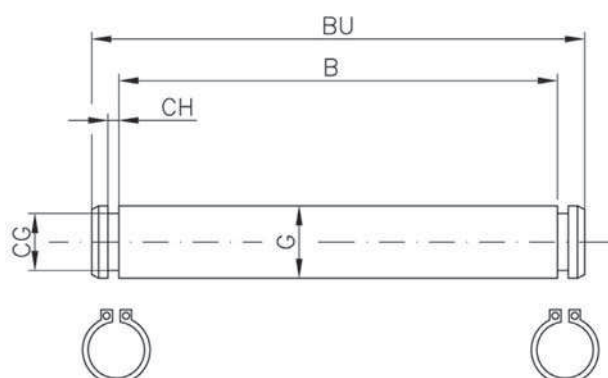
CERNIERA FEMMINA CON BUSSOLE / FEMALE HINGE WITH BUSHES

Ø mm	A	L	D	R	N	B	S	F	Z	G	M	CM	T	CODICE/CODE
160	140	180	18	26	10	20	65	7	55	30	25	90	170	CERF160X
200	175	220	18	26	14	25	75	7	60	30	25	90	170	CERF200X



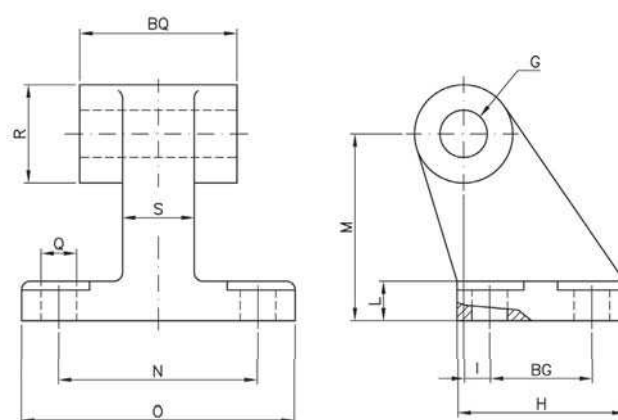
CERNIERA MASCHIO CON BUSSOLA / MALE HINGE WITH BUSHES

Ø mm	A	L	D	R	N	G	S	F	C	M	T	B	CODICE/CODE
160	140	180	18	26	10	20	65	7	55	30	25	90	CERM160X
200	175	220	18	26	14	25	75	7	60	30	25	90	CERM200X



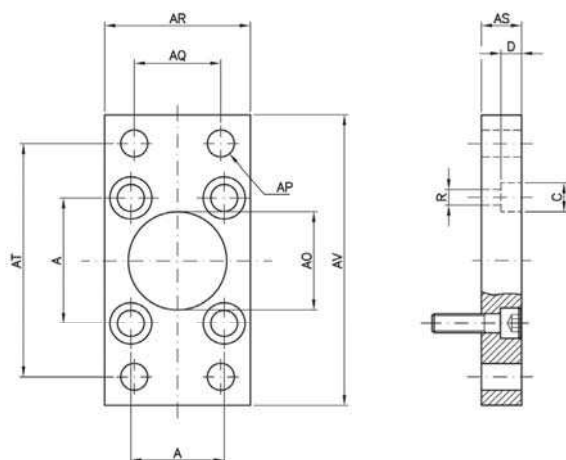
PERNO PER CERNIERA FEMMINA / PIVOT FOR FEMALE HINGE

Ø mm	G	BT	CG	CH	BU	CODICE/CODE
160-200	30	171.5	28.6	1.6	178	PERC160200X



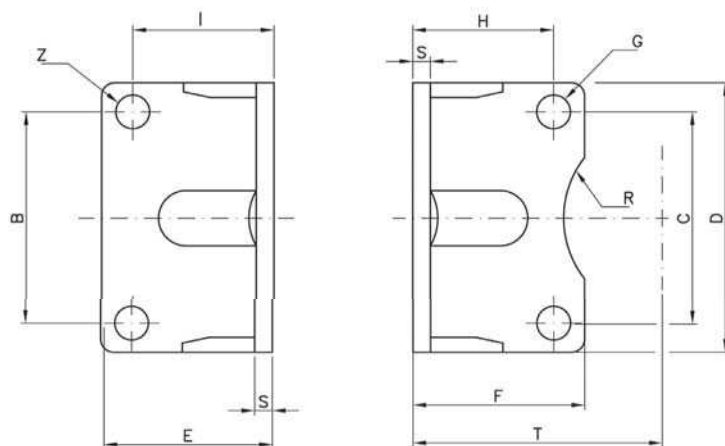
ARTICOLAZIONE A SQUADRA CON BUSSOLE / SQUARE JOINT WITH BUSHES

Ø mm	Q	BG	H	I	L	M	N	O	S	R	BQ	G	CODICE/CODE
160	14	88	126	9	25	115	118	156	36	63	90	30	ART160X
200	18	90	130	15	30	135	122	162	40	63	90	30	ART200X



### FLANGIA / FLANGE

Ø mm	A	AP	AO	R	AS	AR	AQ	AT	AV	C	D	CODICE/CODE
160	140	18	65	17	20	180	115	230	260	25	10.5	AFP160X
200	175	22	75	17	25	220	135	270	300	25	12.5	AFP200X



### PIEDINO BASSO / LOW RISE PEDESTAL

Ø mm	C	B	D	E	F	G	H	I	S	T	R	Z	CODICE/CODE
160	140	115	180	75	100	18	45	60	9	115	32.5	18	AF160X
200	175	135	220	100	100	18	47.5	70	12	135	37.5	22	AF200X